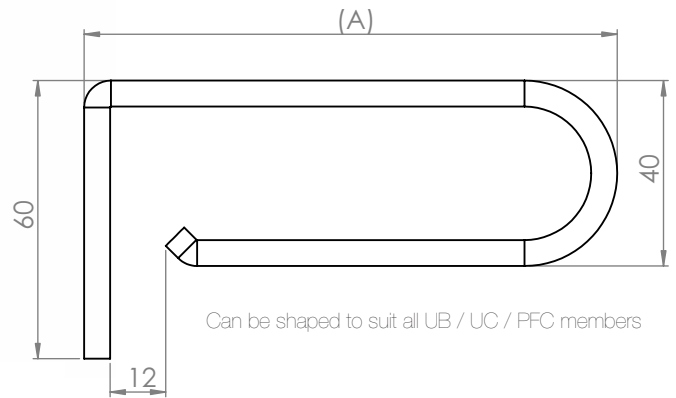


# Clip Lock Column Tie



## DESCRIPTION

Clip lock column tie. Single leaf wall to vertical steel columns

## FEATURES

- Clay brick / block work
- Max cavity 50mm
- Suitable for all UB / UC / PFC members
- Universal applications
- Australian design & tested AS/NZS 2699.2:2020

## SIZES

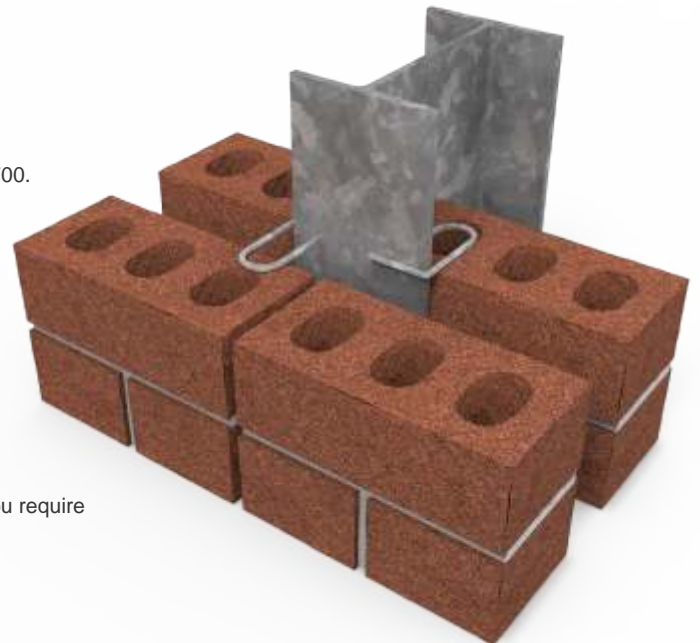
Standard Sizes : 90mm, 115mm and 160mm

## CORROSION CHARACTERISTICS

Galvanized Z600 - Heavy galv wire (R2)

Stainless Steel 316L (R4)

\*Conforms to corrosion resistance set by AS/NZS 2699.2:2020 / AS 3700.



## ORDERING INFORMATION

When ordering please supply use with the part number and quantity you require

**CGT5-CCT-115-R4**

PRODUCT CODE

LENGTH

MATERIAL

A  
 90  
 115  
 160

Specify  
**R2** for Galvanised Z600  
**R4** for Stainless Steel 316L **SPECIAL ORDER**